

FLOATING BALL VALVE MALE BSP PN10 POLYETHYLENE BALL ACS 4MS

Floating ball valve male BSP ACS polyethylene ball for networks of drinking water, watering and water distribution.
Settable compensator.

Design avoiding formation of water hammers and vibrations during closing.

EPDM gasket.

Compatible with drinking water thanks to the French agreement ACS.



Size : DN1/2" to DN2"

Connection : Male BSP

Min Temperature : +0°C

Max Temperature : +60°C

Max Pressure : 10 Bars according to DN

Specifications : Settable compensator

Horizontal position

4MS brass valve

Materials : Polyethylene ball

FLOATING BALL VALVE MALE BSP PN10 POLYETHYLENE BALL ACS 4MS

SPECIFICATIONS :

- With tuning compensator avoiding vibrations and water hammers
- Horizontal position
- Brass male valve threaded BSP
- Polyethylene ball
- Stainless steel needle and seat

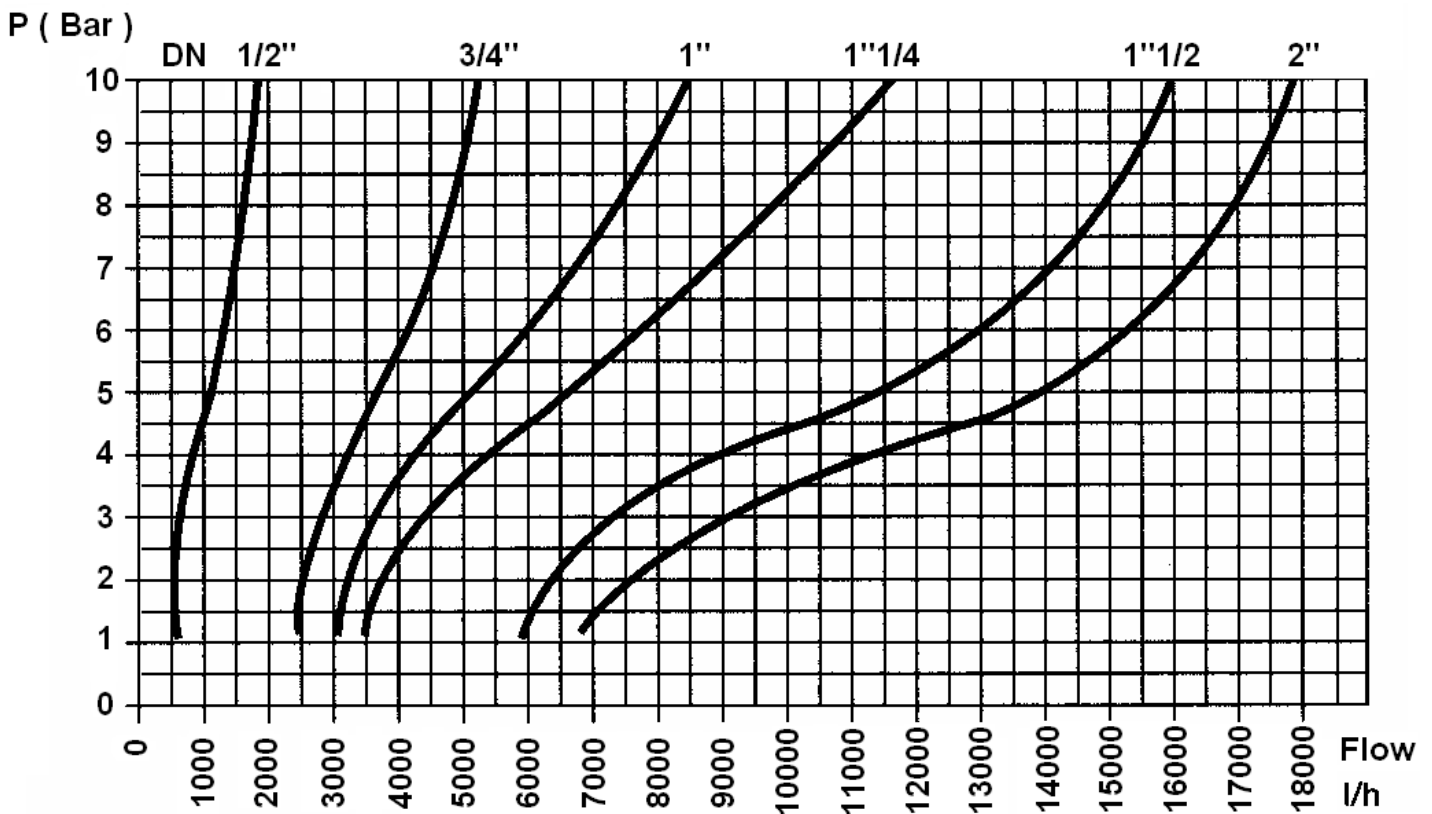
USE :

- Water distribution and watering
- Min and max Temperature Ts : 0°C to + 60°C
- Check the floating ball valve can move correctly after installation
- Do not cut the compensator

MAX PRESSURE :

DN	1/2"		3/4"		1"		1"1/4		1"1/2		2"	
Ø Ball	100	120	150	180	180	220	220	300	220	300	220	300
Ps (Bars)	5	10	8	10	8	10	5	10	5	10	5	10

HEAD LOSS GRAPH (L/h):

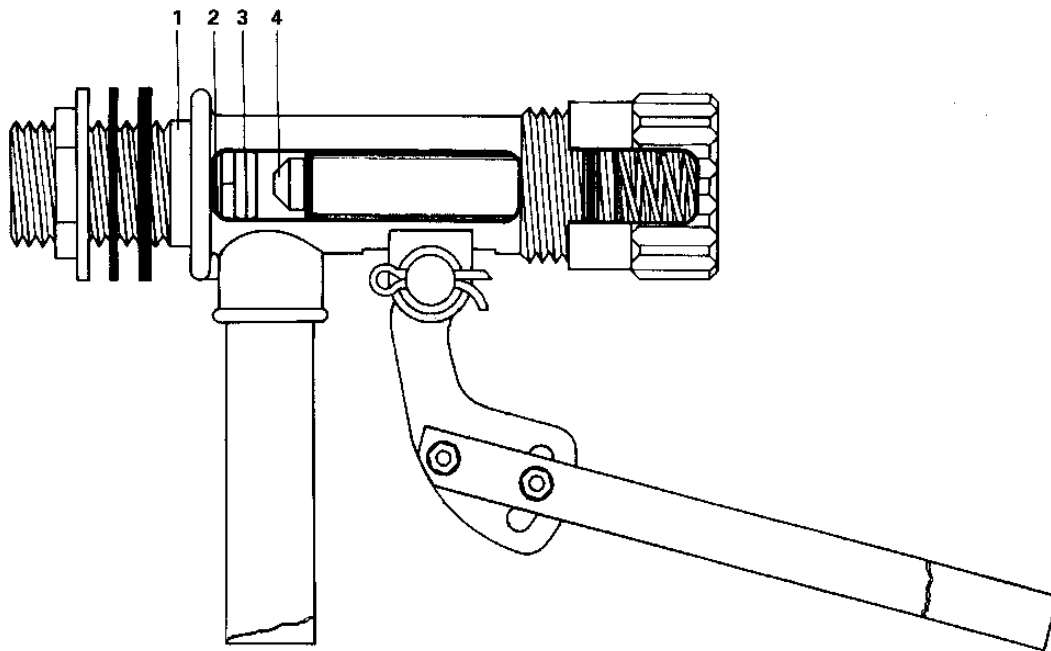


FLOATING BALL VALVE MALE BSP PN10 POLYETHYLENE BALL ACS 4MS

RANGE :

- Brass valve with polyethylene ball **Ref. 490** from DN 1/2" to DN 2"

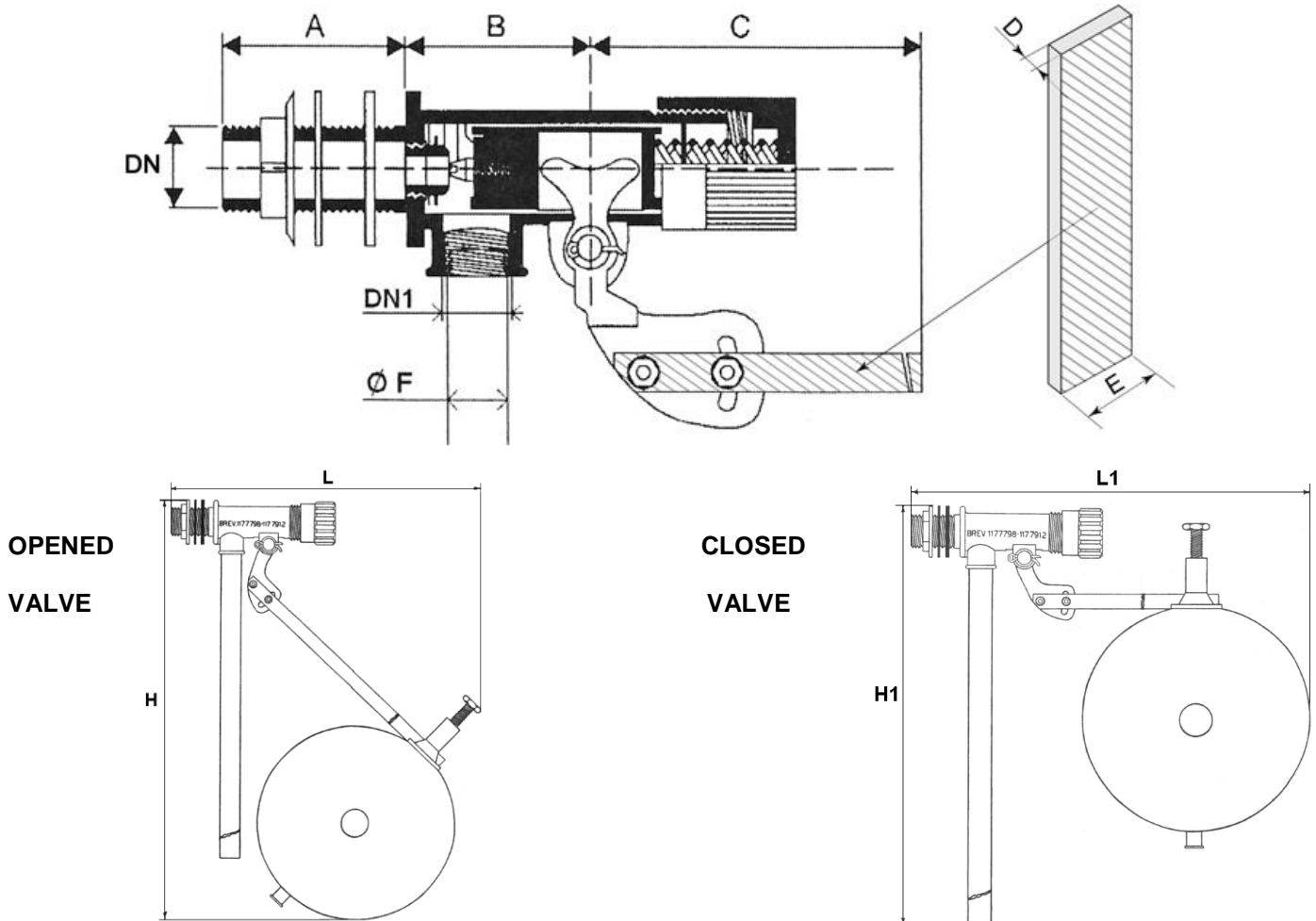
MATERIALS:



Item	Designation	Materials
1	Body DN1/2"-1"1/4	Brass CW617N-4MS according to EN 12165
1	Body DN1"1/2-2"	Brass CB770S-4MS
2	Gasket	EPDM
3	Seat	Stainless steel
4	Needle	
	Ball	Polyethylene

FLOATING BALL VALVE MALE BSP PN10 POLYETHYLENE BALL ACS 4MS

SIZE (in mm) :



DN	1/2"	3/4"	1"	1 1/4"	1 1/2"	2"
DN1	3/8"	1/2"	1/2"	3/4"	1"	1 1/4"
L	340	480	500	590	625	685
L1	410	655	675	700	770	870
H	300	495	530	510	655	700
H1	235	440		455	570	
A	35	42	48	47	52	67
B	28	51	53	58	59	77
C	305	505			605	
D	4				5	
E	8	15			16	
Ø F	13	20.7	20.7	27	32.5	42
Ø Ball	120	150	180	220	220	300
Weight (Kg)	0.37	1.16	1.36	1.91	2.65	5.38
Ref.	490004	490005	490006	490007	490008	490009

FLOATING BALL VALVE MALE BSP PN10 POLYETHYLENE BALL ACS 4MS**STANDARDS :**

- Manufacturer certified ISO 9001 : 2015
- DIRECTIVE 2014/68/EU : Products excluded from directive (Article 1, § 2.b)
- French water agreement **A.C.S. N° 22 ACC LY 708 for the brass valve** (the polyethylene ball has not A.C.S.)

ADVICE : Our opinion and our advice are not guaranteed and SFERACO shall not be liable for the consequences of damages.
The customer must check the right choice of the products with the real service conditions.

INSTALLATION INSTRUCTIONS**GENERAL GUIDELINES :**

- Ensure that the valves to be used are appropriate for the conditions of the installation (type of fluid, pressure and temperature).
- Ensure that the valves installed according to actual norms.
- Ensure there are no external articles which could perturb the functioning of the valve. The compensator must move freely
- When installing with outside opened tank, ensure that no external articles could perturb the functioning of the valve or block the compensator.

INSTALLATION INSTRUCTIONS :

- **Before installing the valves, clean and remove any objects from the pipes** (in particular bits of sealing and metal) which could obstruct and block the valves.
- When installing with outside opened tank, provide a protection for the ball and the compensator to avoid problems with external articles. This protection should be opened at the top and at its bottom so that it doesn't involve the reel high of the fluid. The protection height should be at least equal to the compensator movement height. The compensator and the ball must not touch the protection.
- The compensator must not be cutted.
- To avoid a blocking of the compensator, a regular check is necessary.